

LEYBA LB



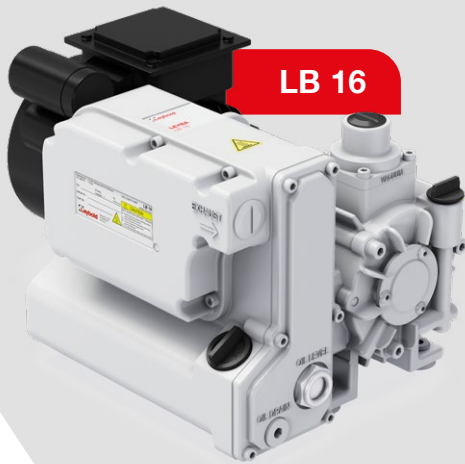
Robust and reliable
oil-sealed rotary
vane vacuum pumps



A robust vacuum solution for a broad range of requirements

The LEYBA LB series are a range of robust and compact single-stage, oil sealed rotary vane vacuum pumps. These pumps are designed and ideal for modern industrial applications that require rough, reliable vacuum supply. The high pumping speeds, low noise and vibration levels and high reliability offers reliable performance with low costs of ownership.

This air-cooled pump with its ease of service ensures minimum maintenance and hence leads to allow overall life cycle cost. These “Made in India” vacuum pumps are an ideal solution to suit a broad range of requirements.





LB 100

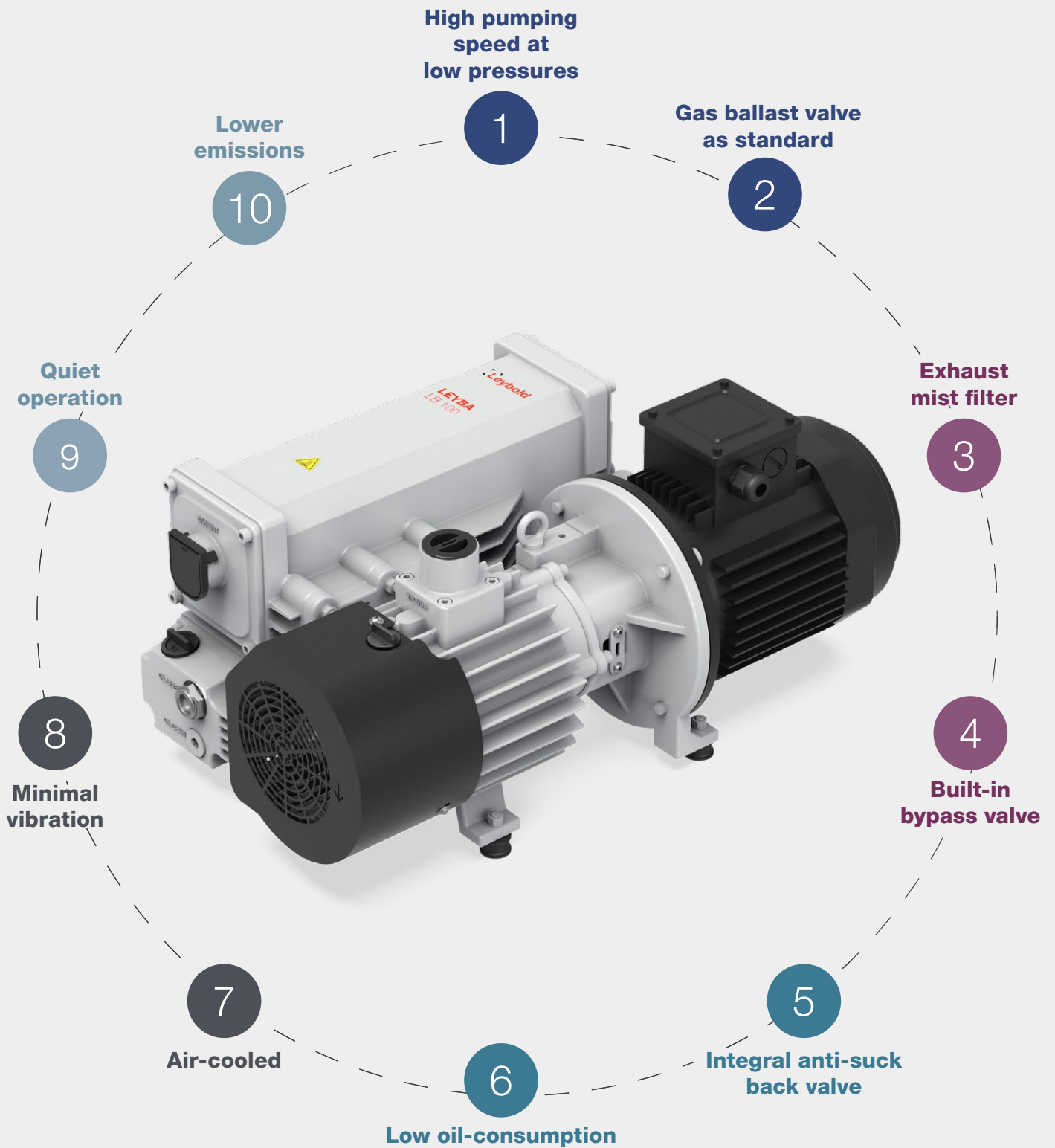


LB 300



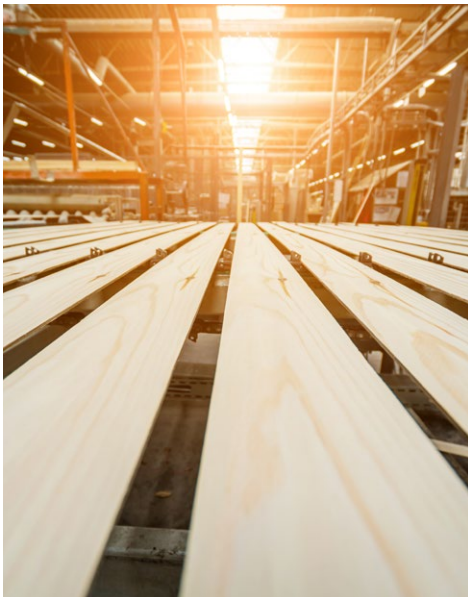
LB 200

State-of-the-art product features

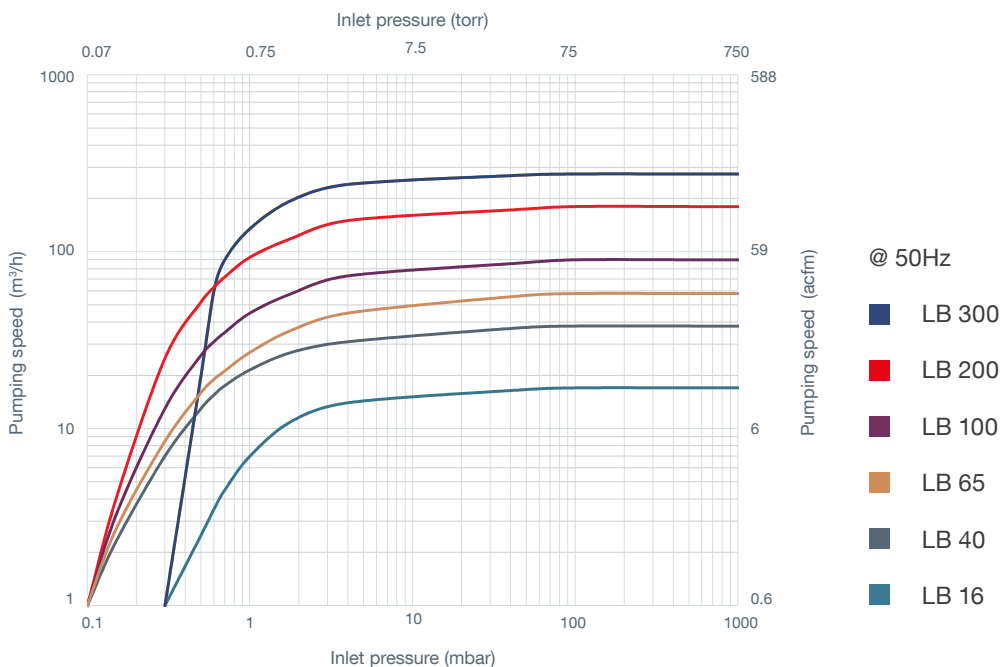


Applications

- ✓ Packaging
- ✓ VPSA
- ✓ Heat treatment
- ✓ Electrical (transformer drying/oil filtration)
- ✓ Vacuum holding (wood working/machining)
- ✓ Composites

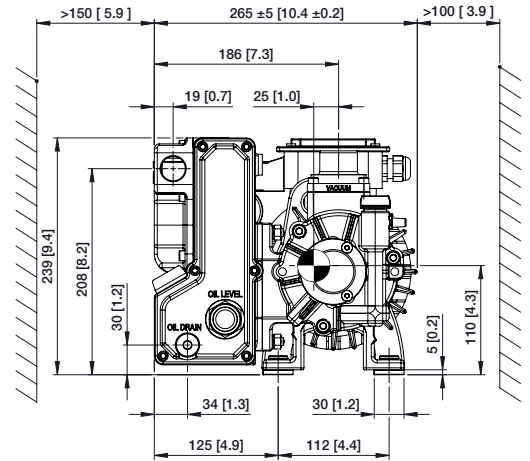
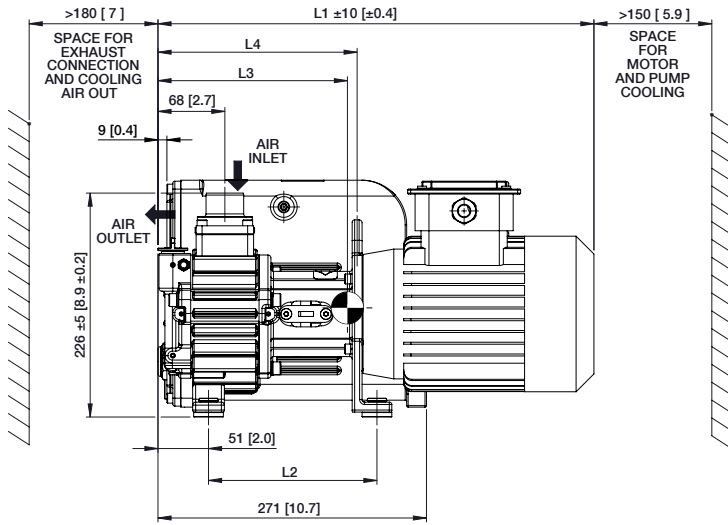


Performance curves

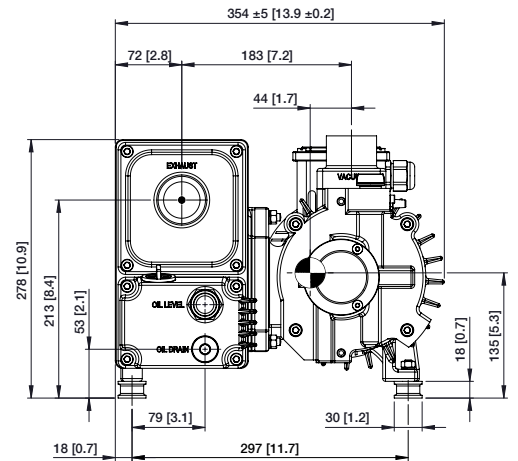
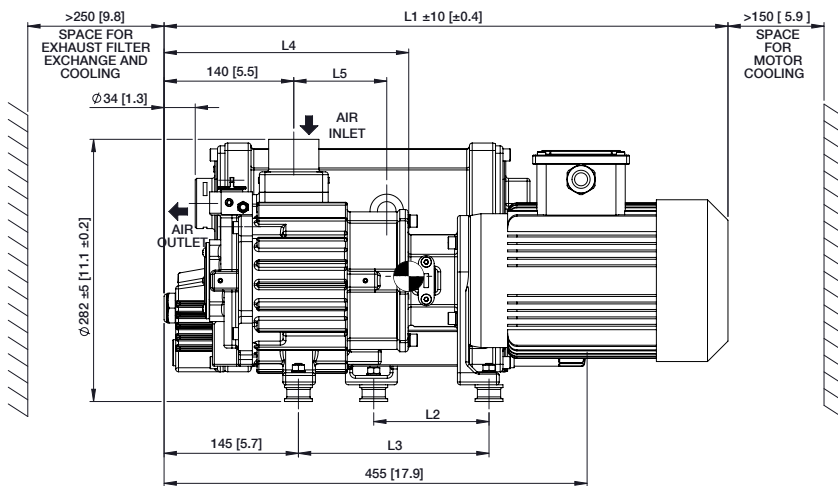


Technical drawings

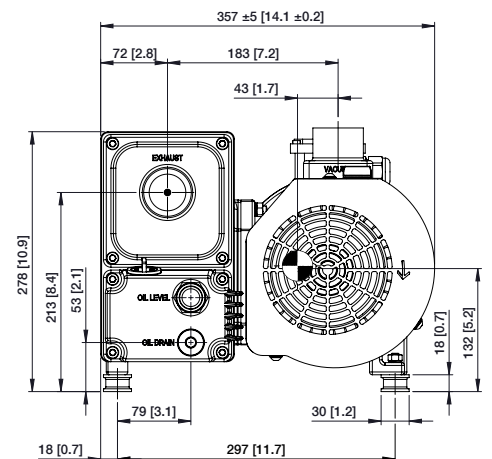
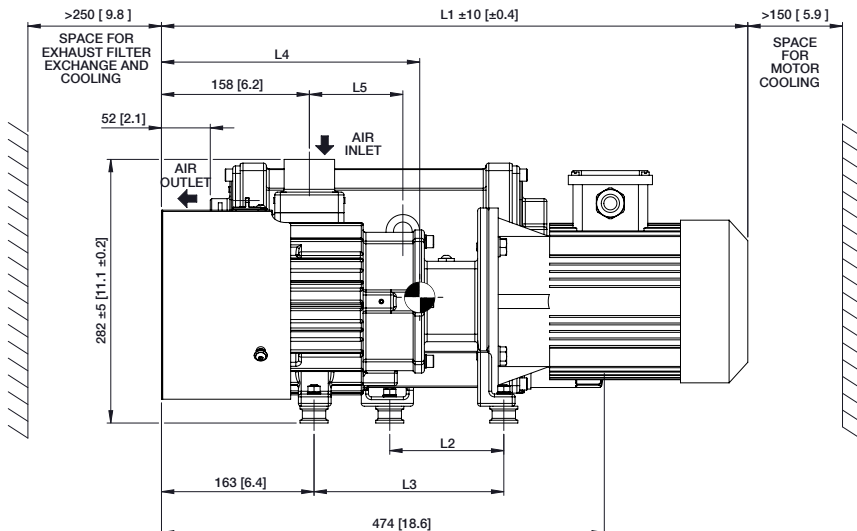
LB 16



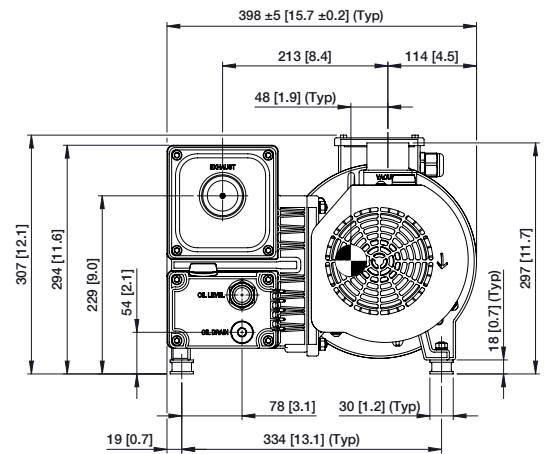
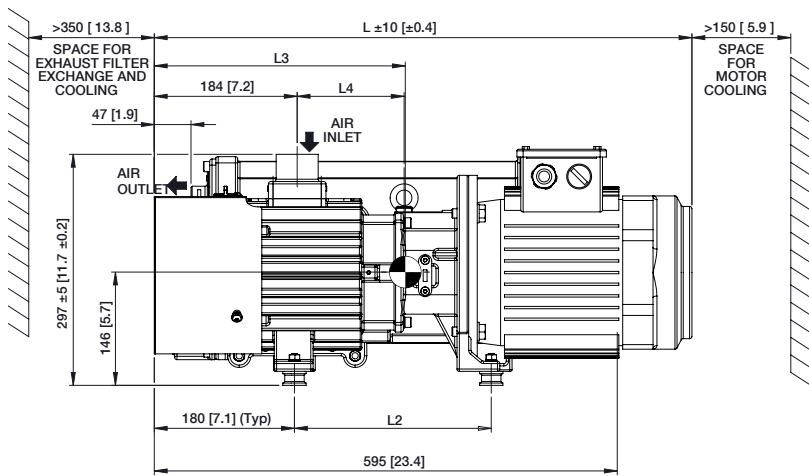
LB 40



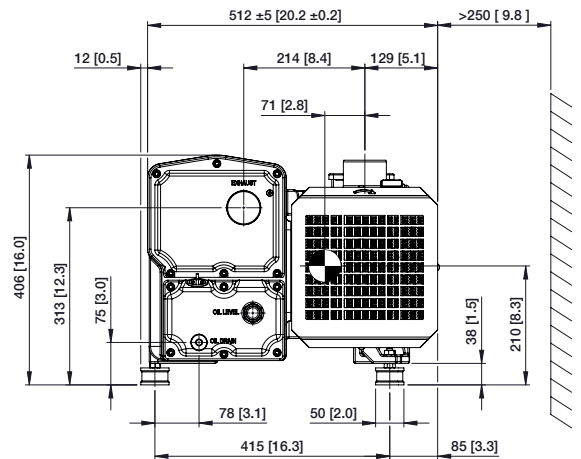
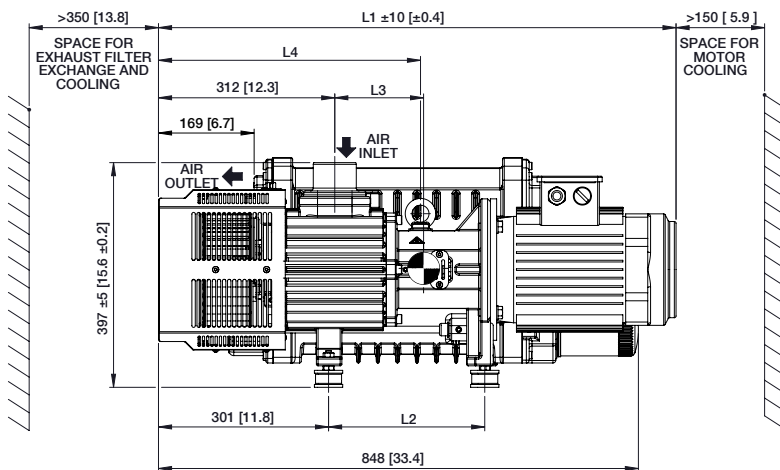
LB 65



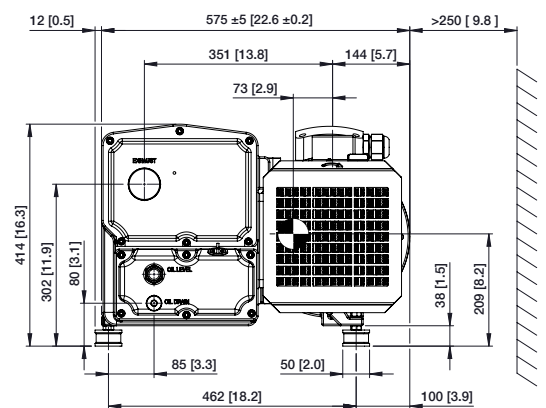
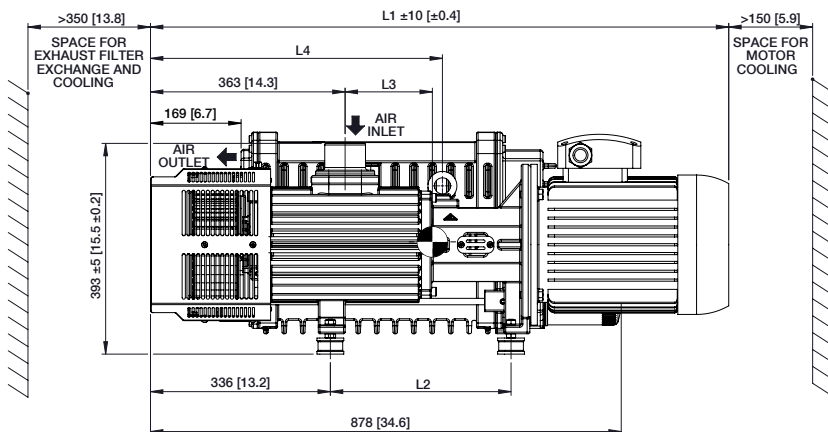
LB 100



LB 200



LB 300



*All the dimensions mentioned are in mm/in.

Technical data

Ordering information

		LEYBA					
		LB 16	LB 40	LB 65	LB 100	LB 200	LB 300
Nominal pumping speed @ 50Hz	m ³ /h (l/min)	17 (283)	43 (717)	65 (1083)	102 (1700)	192 (3200)	300 (5000)
Ultimate vacuum (Total pressure)	Gas ballast closed mbar (Torr)	≤ 0.3 (0.225)	≤ 0.1 (0.075)	≤ 0.1 (0.075)	≤ 0.1 (0.075)	≤ 0.1 (0.075)	≤ 0.3 (0.225)
	Gas ballast open mbar (Torr)	≤ 1.5 (1.125)	≤ 1.5 (1.125)	≤ 1.5 (1.125)	≤ 1.5 (1.125)	-	-
	Small gas ballast mbar (Torr)	-	-	-	-	≤ 0.8 (0.6)	≤ 0.8 (0.6)
	Standard gas ballast mbar (Torr)	-	-	-	-	≤ 1.5 (1.125)	≤ 1.8 (1.35)
	Big gas ballast mbar (Torr)	-	-	-	-	≤ 2 (1.5)	≤ 2.5 (1.87)
Water vapour pumping capacity	kg/h	0.3	0.9	1.4	2.2	1.5, 2.5, 4*	2.4, 4.5, 6*
Water vapour tolerance	mbar	40	40	40	40	20, 30, 40*	20, 30, 40*
Nominal power rating @ 50Hz	kW (hp)	0.55 (0.75)	1.1 (1.5)	1.5 (2)	2.2 (3)	3.7 (5)	5.5 (7.5)
Motor rotational speed @ 50Hz	rpm	1500	1000	1500	1500	1500	1500
Weight	kg	29	55	59	80	139	193
Inlet connection	-	G ¾" F	G 1 ¼" F	G 1 ¼" F	G 1 ¼" F	G 2" F	G 2" F
Outlet connection	-	G ¾" F	G 1 ¼" F	G 1 ¼" F	G 1 ¼" F	G 2" F	G 2" F
Litre capacity	l	1	1.8	1.8	2.5	8	9.5
Recommended oil	Standard	Mineral oil					
Power supply	-	Three phase 415V, 50Hz	Three phase 415V, 50Hz				

* Small, standard and big gas ballast



Pioneering products. Passionately applied.